



This SBR sewage treatment plant is small – but strong as a bear!

with aerobic sludge stabilization



Fotolia.com © Zifoto



# Grizzly and Aero

Economical installation,  
safe and reliable operation:

- Aerobic sludge stabilization!
- Cleaning classes C and D incl.
- Cleaning class P optionally\*
- Online access\*
- One-time maintenance\*
- Accessibility\*
- Operator inspections no more required\*

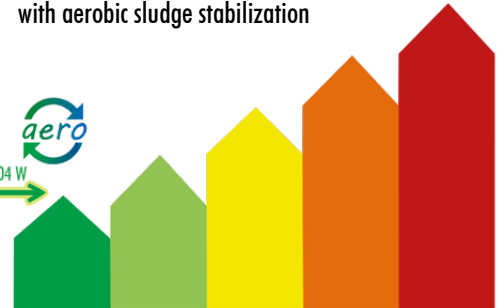
\*Optionally at additional costs



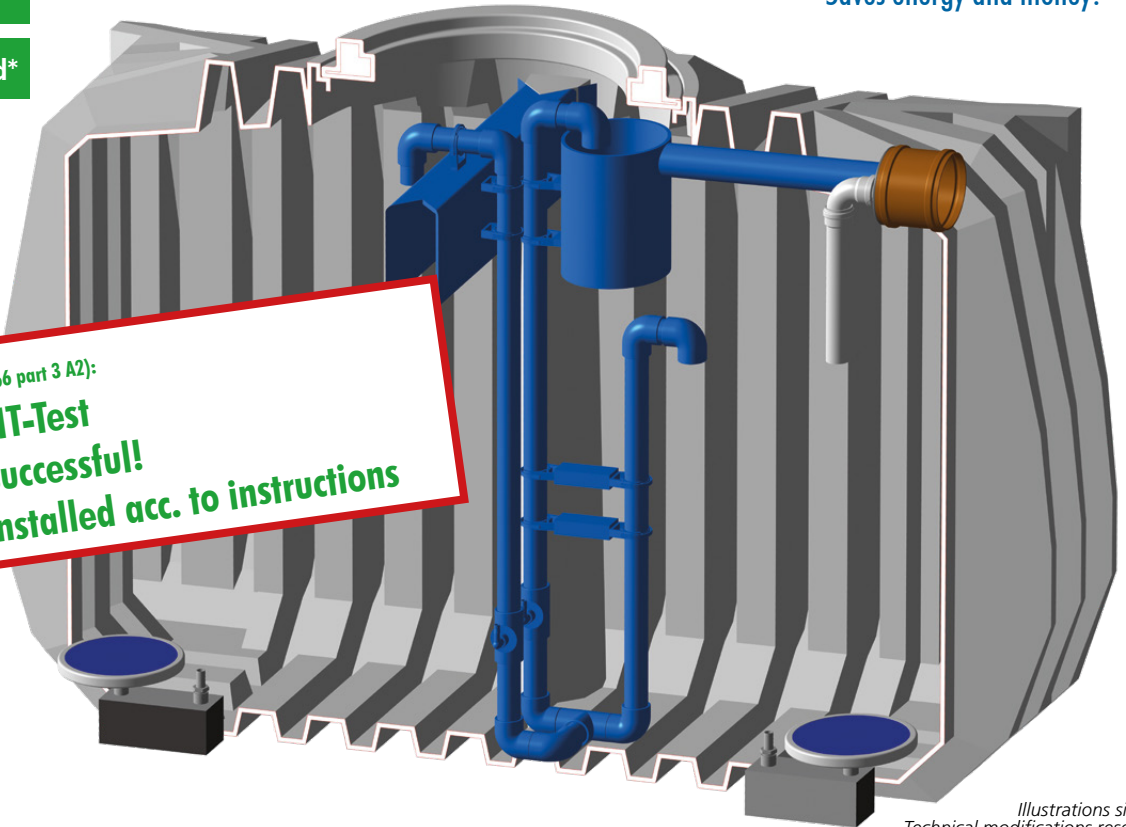
Energy consumption per inhabitant per day  
According to the current European standard EN 12566 Part 3 A2

500 W  
400 W  
300 W  
200 W  
100 W

Tested by independent institute:  
This SBR sewage treatment plant tested  
acc. to EN 12566 part 3 A2  
with aerobic sludge stabilization



Saves energy and money!



Illustrations similar.  
Technical modifications reserved.

Results of an independent examination (EN 12566 part 3 A2):

- 0% Volume loss in PIT-Test
- The 25 t – test was successful!
- Buoyancy-proof, if installed acc. to instructions



## Grizzly

[www.batchpur.com](http://www.batchpur.com)

The optimum for user and environment:  
batchpur small sewage treatment plants

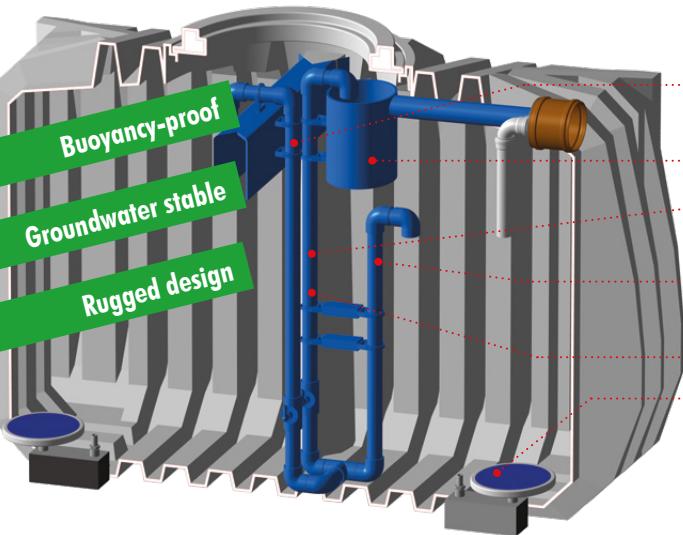
# Grizzly

## Strong as a bear

Like an anchor in the ground

The newly developed Grizzly PE container is available exclusively for Aero small sewage treatment plants. The high quality of materials, its specific design and its many advanced built-in qualities lead to considerable cost savings during installation and operation of the SBR plant.

**The PIT-Test\*\* has proved 0% volume loss under groundwater load with empty tank.**



Buoyancy-proof

Groundwater stable

Rugged design

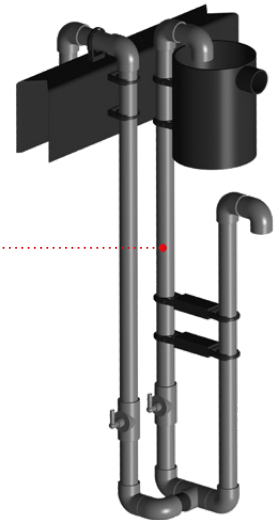
## The air makes it: Extremely clean water and much less sludge!



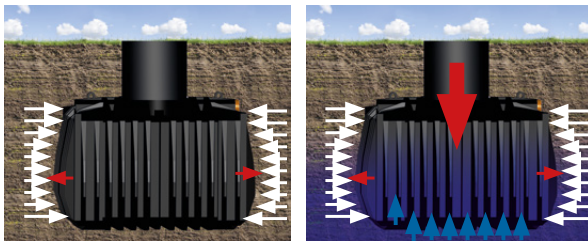
- Control module easy...con with specific O2-Control (EP-Patent)
- Bright illuminated graphic display
- Hose connectors made of stainless steel
- Assembly simplified by colored pressure hoses: This avoids confusion.
- Wall cabinet and GRP column for indoor and outdoor installation, type of protection IP 44



- Perfect adaptation to dividing wall by adjustable support
- Large sampling tank included in the delivery
- Wear free air-lift instead of submersible pumps, in valuable industrial standard
- Exact, infinitely variable detection of water quantity w/o float
- Automatic discharge of excess sludge
- 2 aerators (can be removed during operation)



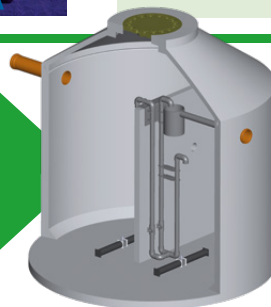
\*\* For further information refer to: [www.batchpur.com](http://www.batchpur.com)



### Further advantages of aerobic sludge stabilization:

- ➔ **No more unpleasant smell caused by digestion!** You can take a deep breath.
- ➔ **Corrosion of tanks is prevented!** This extends the lifetime particularly of concrete and existing septic tanks.
- ➔ **Reduction of sludge volume!** By means of atmospheric oxygen, sludge is stabilized and thus decomposed. This means that the quantity produced is minimized, entailing less effort for disposal. This saves time and money.

Uncomplicated and economical retrofit in existing septic or with new concrete tanks



### ... the optimum purifying technology for every tanks!

Supported by our team, Aero SBR-technology can be installed in any existing, standardized or individually configured tank. We are ready to advise you also for conversion or new dimensioning of tanks – to ensure optimum exploitation of your plant.

Upgrade for remote supervision by online access to be added anytime



### ... control, supervision and documentation simply performed online!

Enhanced user-friendliness for easy...con-controls: Whether for remote inspection, verification of the operations log, modification of parameters, or in order to grant access for an authorized service technician to perform maintenance: Initiate the corresponding action online instead of wasting travelling expenses or even vacation time just for purposes of maintenance or on-site inspection. This way permanent accessibility may be maintained as well.

February 2018. Typing and printing errors reserved. Illustrations similar. Technical modifications reserved.